



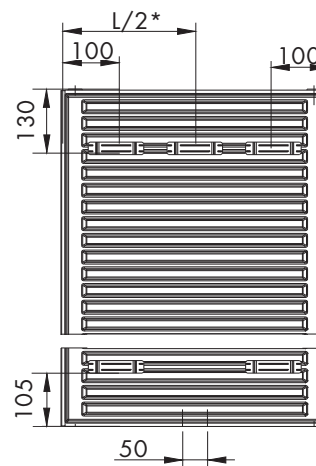
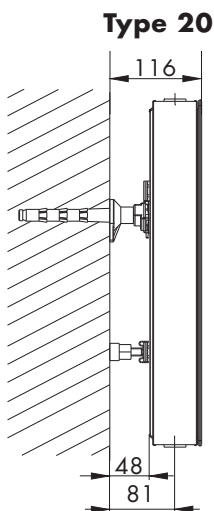
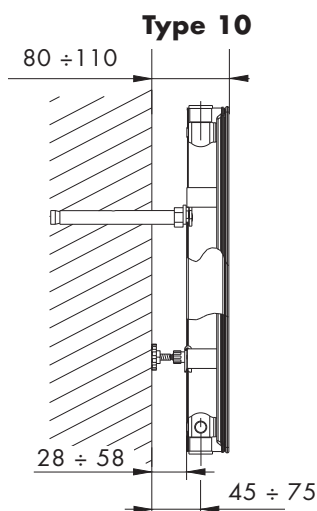
# RADIK<sup>®</sup> PLAN VERTIKAL - M, LINE VERTIKAL - M

## Fixation

For fixing to the wall, we recommend use of the 18/120 (Z-U144) drill-in bracket - always 2 brackets. When using Z-U140 and Z-U300 brackets, the required number of brackets is the same as the number of upper fixing hangers. When using the Z-U320 bracket, you must always use four brackets.



## Fixation

Recommended mounting brackets - type	Code for ordering	Type 10	Type 20
Drill-in bracket 15/120	Z-U140		X
Drill-in bracket 18/120	Z-U144	X	X
Simple wall bracket	Z-U320	X	X
Simple wall bracket - angled	Z-U300	X	X



\* valid for Type 20 with length 600 and 900 mm

## Heat output and basic technical parameters

20°C		Type 10 				Type 20 			
		Height H [mm]				Height H [mm]			
Length L [mm]		1600	1800	2000	2300	1600	1800	2000	2300
400	Q [W] 90/70 [°C]	751	823	891	989	1068	1168	1264	1400
	Q [W] 75/65 [°C]	602	661	717	797	847	927	1004	1114
	Q [W] 70/55 [°C]	487	536	582	648	677	742	804	894
	Q [W] 55/45 [°C]	315	348	379	423	429	471	511	570
	Water volume [l]	3,7	4,1	4,6	5,3	7,0	7,9	8,8	10,1
	Radiator weight [kg]	20,11	22,59	25,07	28,85	33,23	37,51	41,61	47,91
Temp. exponent n [-]	1,2512	1,2400	1,2334	1,2234	1,3160	1,3115	1,3056	1,2967	
600	Q [W] 90/70 [°C]	1035	1133	1227	1363	1491	1631	1764	1955
	Q [W] 75/65 [°C]	829	909	986	1097	1185	1297	1404	1559
	Q [W] 70/55 [°C]	669	735	799	890	950	1040	1127	1254
	Q [W] 55/45 [°C]	432	477	519	580	604	663	720	803
	Water volume [l]	5,0	5,6	6,2	7,1	9,3	10,4	11,6	13,3
	Radiator weight [kg]	28,41	31,99	35,57	40,85	48,98	55,16	61,26	70,46
Temp. exponent [-]	1,2595	1,2482	1,2415	1,2315	1,3036	1,2991	1,2932	1,2844	
900	Q [W] 90/70 [°C]	1426	1560	1692		2090	2283	2471	
	Q [W] 75/65 [°C]	1141	1251	1358		1659	1814	1965	
	Q [W] 70/55 [°C]	921	1011	1099		1328	1454	1576	
	Q [W] 55/45 [°C]	594	655	713		843	924	1004	
	Water volume [l]	6,9	7,7	8,6		13,3	15,0	16,6	
	Radiator weight [kg]	45,21	50,79	56,47		75,47	84,95	94,45	
Temp. exponent n [-]	1,2637	1,2524	1,2457		1,3097	1,3052	1,2993		
Resistance coefficient $\xi_r$ [-]	140,0				82,0				
Flow coefficient $A_f$ [m <sup>2</sup> ]	2,4 x 10 <sup>5</sup>				3,14 x 10 <sup>5</sup>				

Characteristic equation:  $\Phi = K \cdot L^a \cdot H^b \cdot \Delta T^{(c_0 + c_1 \cdot H)}$