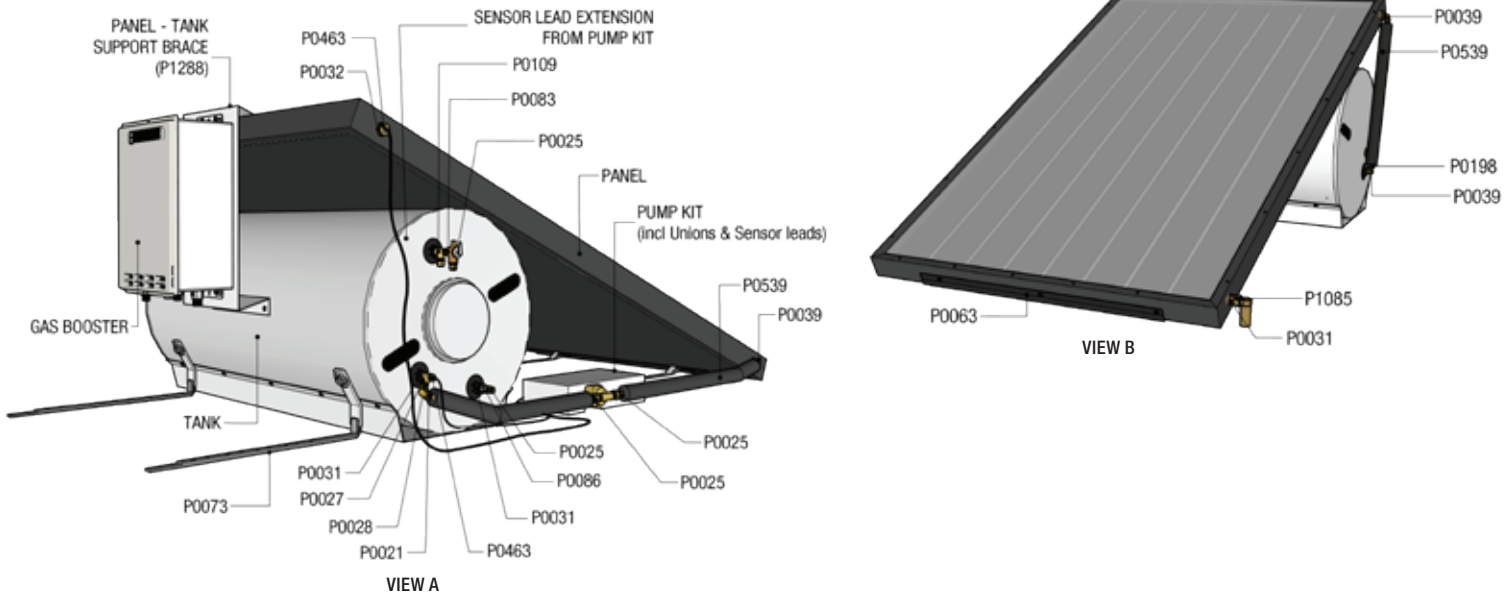


# Pumped Roof Systems: 200 Litre Gas/Electric - Open Loop Systems

## System Overview



NOTE: System schematic is indicative only

## Part Kits & Components

Parts not included in standard kits (\* to be supplied by installer):

Part#	Qty Req'd	Component Name
P0087	1	Duo valve
P0201	1	Pressure limiting valve
P0077	1	Tempering valve

Standard components / kits included with pumped roof systems:

200L Gas - Open Loop System (Single Panel)	200L Electric - Open Loop System (Single Panel)
1 x 200L OL Tank	1 x 200L OL Tank
1 x Collector Panel	1 x Collector Panel
1 x Conn. Kit (K2020)	1 x Conn. Kit (K2020)
1 x Mount Support Bracket (P1288)	1 x Mount Support Bracket (P1288)
1 x Gas Booster	-

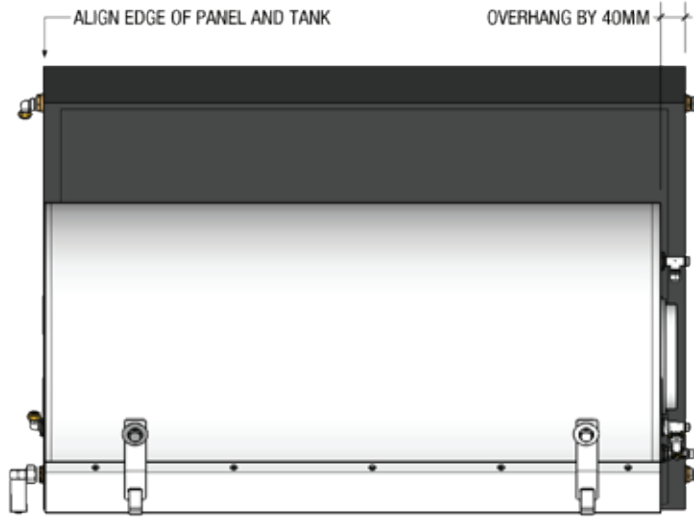
## System Connecting Kit (K2020)

Part#	Qty	Component Name
P0021	1	Elbow 15mm FI - Conetite
P0025	5	Union 15mm MI - Conetite
P0027	2	15mm Brass Tee
P0028	1	Adaptor 15-15mm Brass Nipple
P0031	4	Adaptor 20-15mm Brass Nipple
P0032	1	Bush 20mm MI - 15mm FI
P0039	3	Elbow 20mm MI - 15mm Conetite
P0047	15	Self Tapping Screw
P0063	1	Bottom Rail for Single Panel

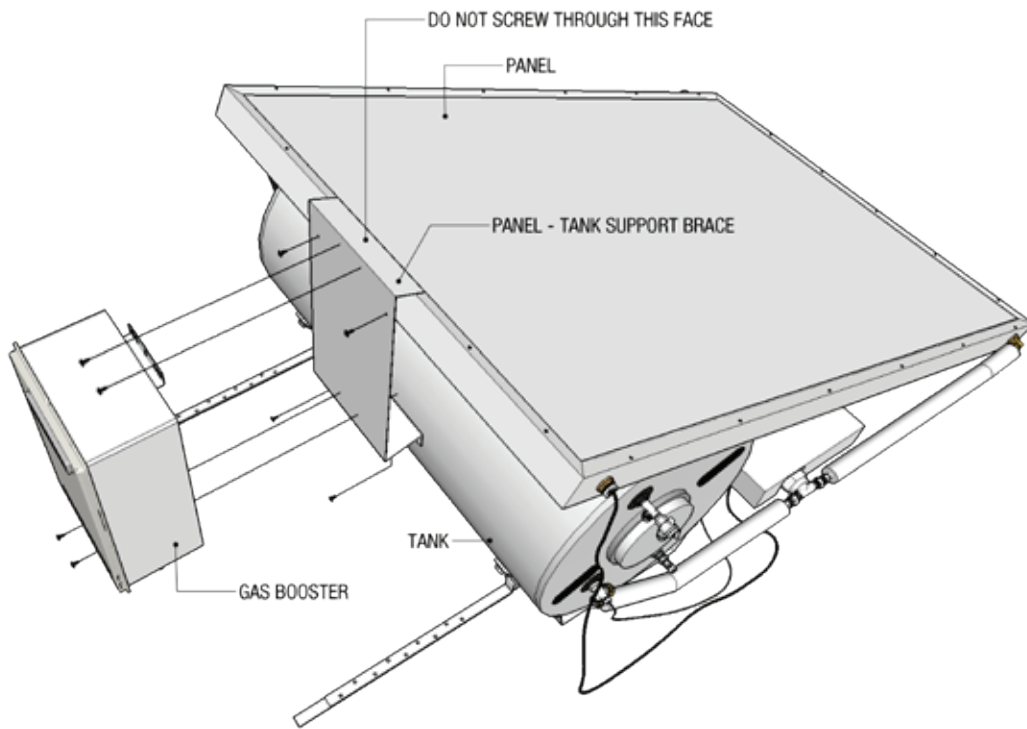
## System Connecting Kit (Continued)

P0073	4	Tank / Rail Straps
P0083	1	PTR valve
P0086	1	Non-Return Valve
P0120	2	Roof Support Rail
P0198	2	Copper Length 12mm - Short
P0198	1	Copper Length 12mm - Long
P0463	2	15mm Tank Sensor Probe
P0539	2	Aero Flex 198mm x 13mm High Temp
P1085	1	Anti Frost Valve
P1110	1	Pump Station Assy incl. 2 x unions and sensor leads

NOTE: Frost valves are required for all solar hot water systems installed in Victoria



PANEL POSITIONING



MOUNTING OF SUPPORT BRACE



Looking for More  
Installation Instructions?

Visit [www.chromagen.com.au/shw-documentation](http://www.chromagen.com.au/shw-documentation)  
or scan QR code



Need the Owner's Care  
& Maintenance Guide?

Visit [www.chromagen.com.au/owners-guide](http://www.chromagen.com.au/owners-guide)  
or scan QR code