
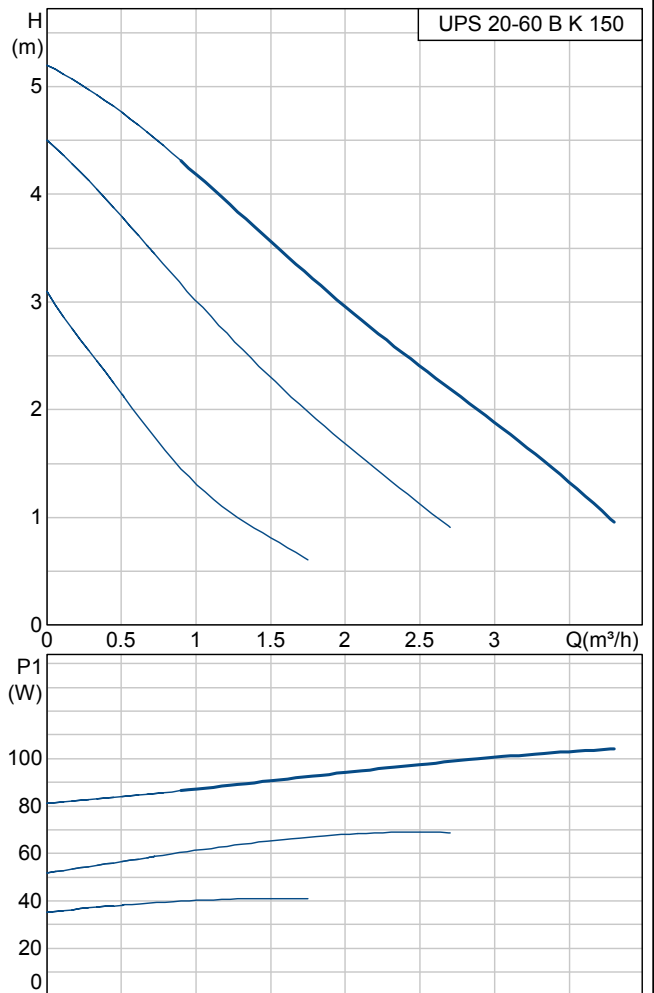
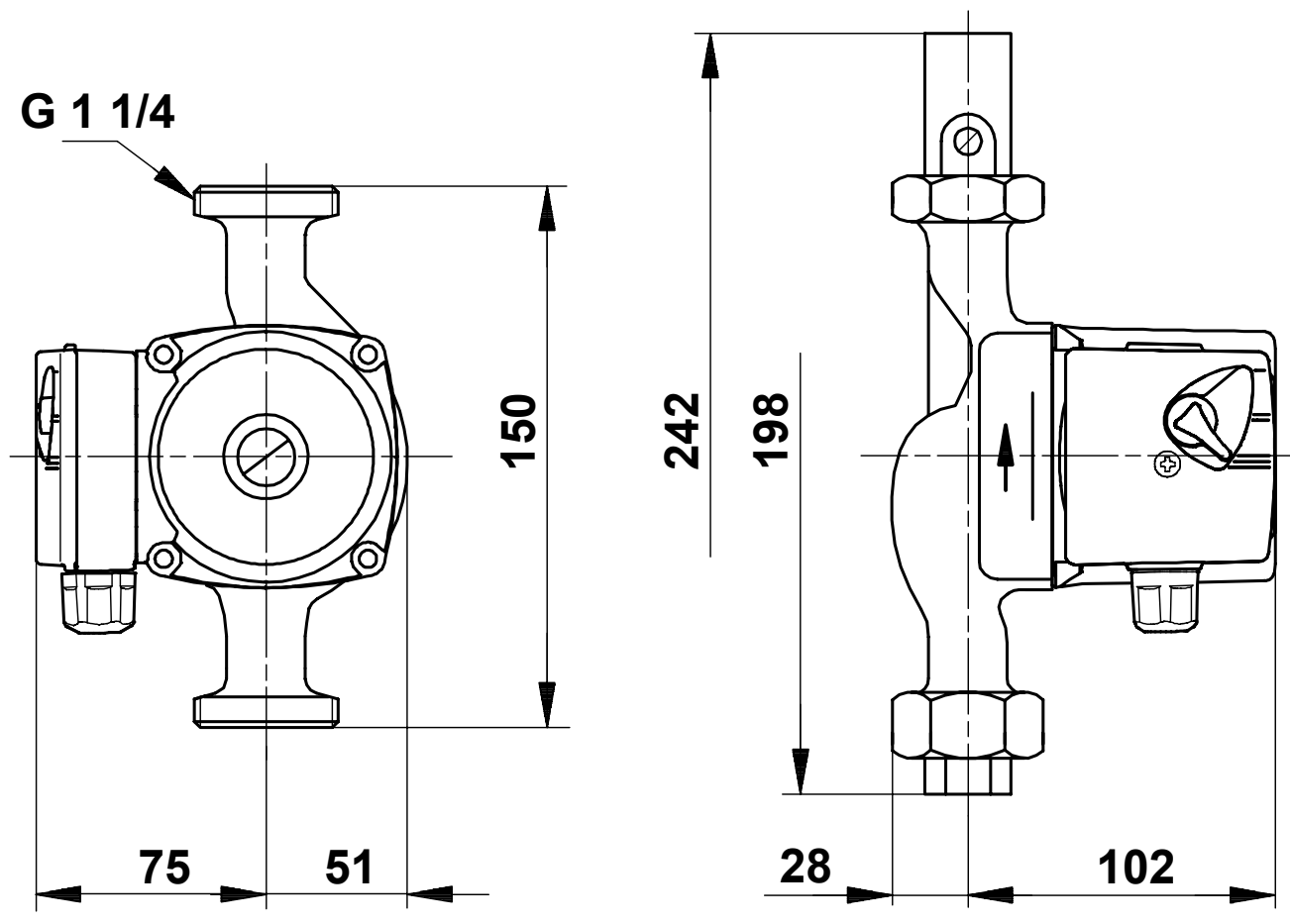


Position	Qty.	Description	Single Price
	1	<p data-bbox="293 161 510 188">UPS 20-60 B K 150</p>  <p data-bbox="679 586 1219 613">Note! Product picture may differ from actual product</p> <p data-bbox="293 640 542 667">Product No.: 59726601</p> <p data-bbox="293 672 810 779">The pump is of the canned rotor type, i.e. pump and motor form an integral unit without shaft seal and with only two gaskets for sealing. The bearings are lubricated by the pumped liquid. The pump is characterized by:</p> <ul data-bbox="331 806 861 949" style="list-style-type: none"> * Ceramic shaft and radial bearings. * Carbon axial bearing. * Stainless steel rotor can and bearing plate. * Corrosion-resistant impeller, Komposite, PES. * Bronze pump housing. <p data-bbox="293 976 743 1034">The motor is a 1-phase motor. No additional motor protection is required.</p> <p data-bbox="293 1061 379 1088">Liquid:</p> <p data-bbox="293 1093 782 1120">Liquid temperature range: -25 .. 95 °C</p> <p data-bbox="293 1146 418 1173">Technical:</p> <p data-bbox="293 1178 689 1236">TF class : 95 Approvals on nameplate: CE</p> <p data-bbox="293 1263 411 1290">Materials:</p> <p data-bbox="293 1294 890 1352">Material, pump housing: Bronze 2.1176.01 DIN W.-Nr.</p> <p data-bbox="293 1357 836 1384">Material, impeller: Komposite, PES</p> <p data-bbox="293 1411 434 1438">Installation:</p> <p data-bbox="293 1442 746 1576">Amb. max at 80 dgr C liquid: 80 °C Maximum operating pressure: 10 bar Size, pipe connection: G 1 1/4 Pressure stage, pipe connec.: PN 10 Port-to-port length: 150 mm</p> <p data-bbox="293 1603 469 1630">Electrical data:</p> <p data-bbox="293 1635 762 1939">Power input speed 1: 40 W Power input speed 2: 70 W Max. power input: 115 W Mains frequency: 50 Hz Rated voltage: 1 x 240 V Current in speed 1: 0.17 A Current in speed 2: 0.29 A Max. current: 0.47 A Capacitor size - run: 2 µF Enclosure class (IEC 34-5): IP42 Insulation class (IEC 85): F</p> <p data-bbox="293 1966 383 1993">Others:</p> <p data-bbox="293 1998 756 2078">Net weight: 2.8 kg Gross weight: 3 kg Shipping volume: 0.004 m³</p>	Price on request

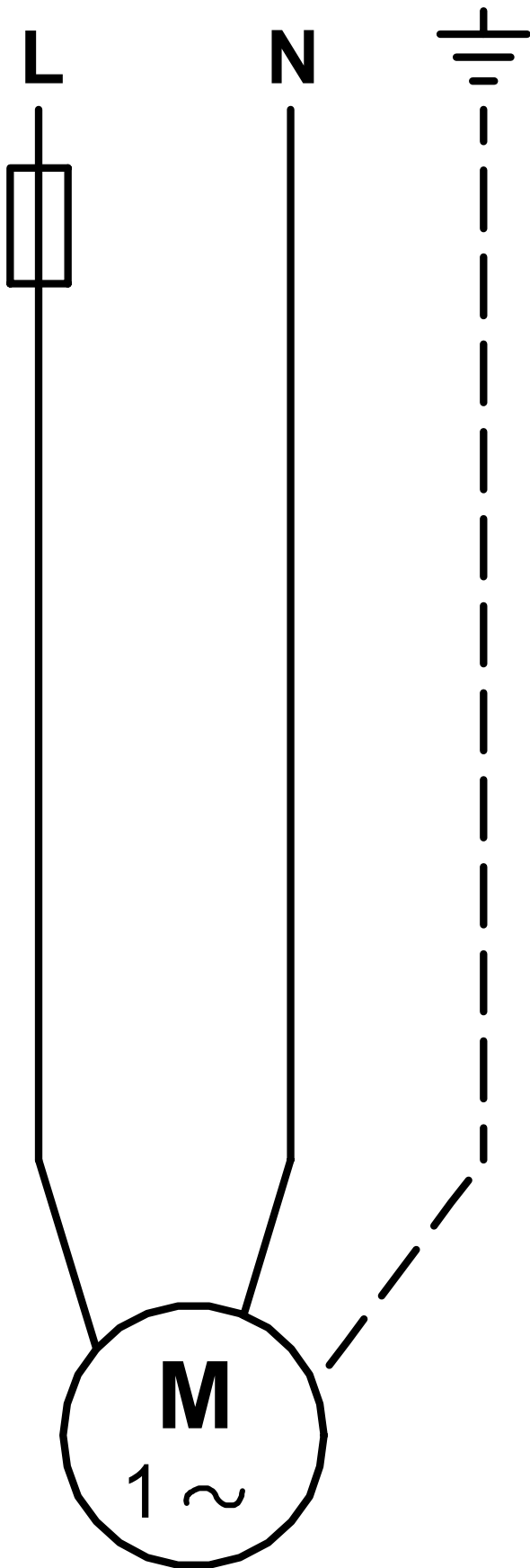
Description	Value
Product name:	UPS 20-60 B K 150
Product No:	59726601
EAN number:	5700390579401
Technical:	
Speed no:	3
Head max:	60 dm
TF class:	95
Approvals on nameplate:	CE
Materials:	
Material, pump housing:	Bronze
	2.1176.01 DIN W.-Nr.
Material, impeller:	Komposite, PES
Installation:	
Amb. max at 80 dgr C liquid:	80 °C
Maximum operating pressure:	10 bar
Size, pipe connection:	G 1 1/4
Pressure stage, pipe connec.:	PN 10
Port-to-port length:	150 mm
Liquid:	
Liquid temperature range:	-25 .. 95 °C
Cold water:	cold water version\
Electrical data:	
Power input speed 1:	40 W
Power input speed 2:	70 W
Max. power input:	115 W
Mains frequency:	50 Hz
Rated voltage:	1 x 240 V
Current in speed 1:	0.17 A
Current in speed 2:	0.29 A
Max. current:	0.47 A
Capacitor size - run:	2 µF
Enclosure class (IEC 34-5):	IP42
Insulation class (IEC 85):	F
Motor protec:	NONE
Thermal protec:	IMP.
Controls:	
Pos term box:	9H
Others:	
Net weight:	2.8 kg
Gross weight:	3 kg
Shipping volume:	0.004 m³



59726601 UPS 20-60 B K 150



Note! All units are in [mm] unless others are stated.



Note! All units are in [mm] unless others are stated.