

## rain heads

COMMERCIAL SCREENED

**Product:** Commercial Screened Rain Heads  
150mm & 225mm



### Product Description

Keeps your Rain Harvesting system free of mosquitoes, vermin and debris.

Rain Heads prevent leaves and debris from blocking downpipes and entering your rainwater tank. Rain Heads are ideal for fitting to each downpipe as they protect the building and improve your tank's water quality.

### Features and Benefits

- Single screen – vermin and vector proof (0.955mm stainless steel aperture)
- 150mm Flow Rate 10 litres/sec
- 225mm Flow Rate 32 litres/sec\*
- Improves tank water quality
- Self cleaning (minimal maintenance)
- Available in Stainless Steel, ZINCALUME® or in any of the 20 standard COLORBOND® colours
- Custom made – made to order

\* Has further flow rate capacity, exceeded the test rig.

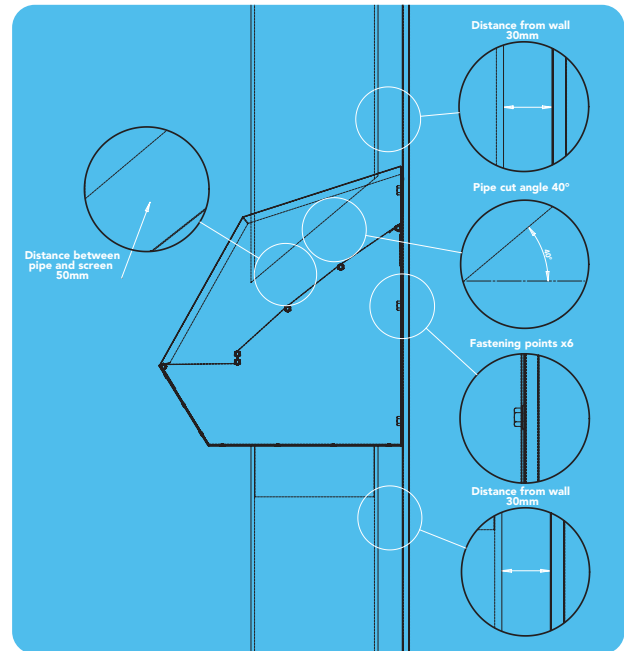
### Compliance & Guidelines

- AS/NZS 3500 – Plumbing and Drainage
- QDC MP4.3
- enHealth Council
- ARID & Standards Australia
- QLD Health Regulation (Part 8 – Mosquito Prevention)

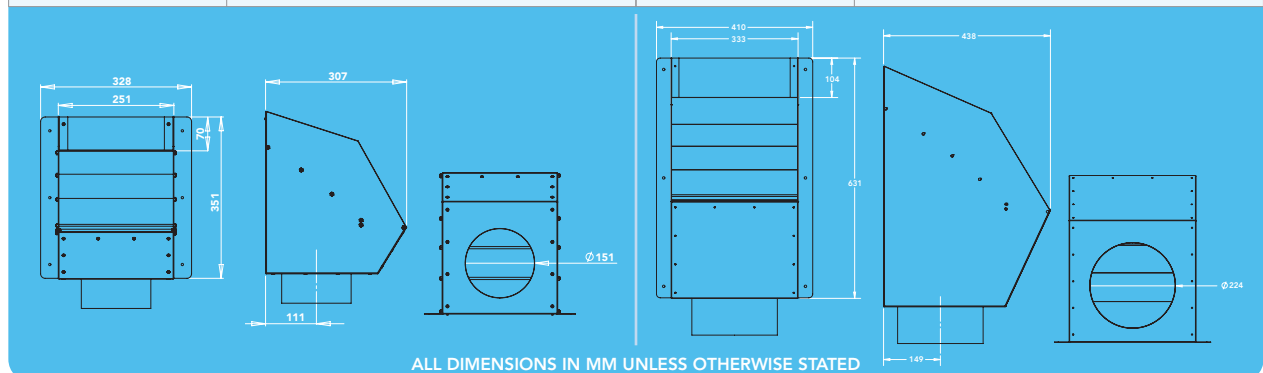
## Installation

### INSTALLATION INSTRUCTONS

1. Select a location for the Rain Head. A Rain Head installed at a height of 2.6 metres will prevent tampering while providing convenient access for maintenance.
2. Cut and bracket the bottom pipe to the wall. Offset the pipe 30mm from the wall.
3. Install the Rain Head into the pipe and mark the side flange fastening holes. Remove the Rain Head and prepare the necessary fastening points. Fasten the Rain Head to the wall ensuring that it is adequately supported by the wall structure.
4. Install pipe above the Rain Head with an offset of 30mm from the wall.
  - Cut the outlet of the pipe at an angle of 40 degrees to match the angle of the screen.
  - Position the angled pipe 50mm above the stainless steel screen.



150MM SCREENED RAIN HEAD			225MM SCREENED RAIN HEAD		
<b>Dimensions</b>	Body Width:	251mm	<b>Dimensions</b>	Body Width:	333mm
	Overall Width:	328mm		Overall Width:	410mm
	Height:	351mm		Height:	631mm
	Depth:	307mm		Depth:	438mm
<b>Body Material</b>	ZINCALUME®/COLORBOND®/ Stainless Steel Sheet – 0.55mm		<b>Body Material</b>	ZINCALUME®/COLORBOND®/ Stainless Steel Sheet – 0.55mm	
<b>Weight</b>	2.6kg		<b>Weight</b>	4.6kg	
<b>Colours</b>	ZINCALUME®/COLORBOND® range or Stainless Steel (Grade 304)		<b>Colours</b>	ZINCALUME®/COLORBOND® range or Stainless Steel (Grade 304)	
<b>Mesh Gauge</b>	0.955mm aperture 316 Stainless Steel		<b>Mesh Gauge</b>	0.955mm aperture 316 Stainless Steel	



## Maintenance

The primary screen of the Rain Head is mostly self-cleaning. However it is prudent to check periodically to ensure it is clear.