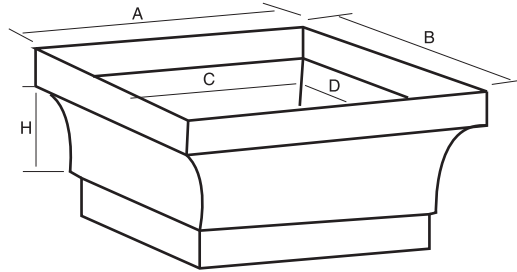
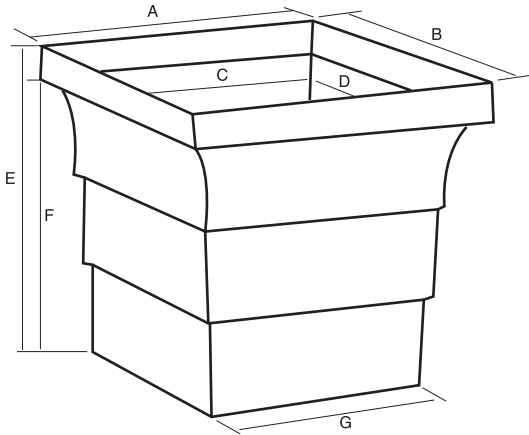


SURFACE WATER DRAINAGE
Everhard Stormwater Pits and Grates



Code No.	A	B	C	D	E	F	G	H
84811	357	357	315	315	326	300	292	-
84816	357	357	315	315	452	425	292	-
80001	565	565	450	450	383	325	435	-
80034	565	565	450	450	510	450	435	-
80010	715	715	600	600	660	600	560	-
84221	357	357	315	315	-	-	-	150
80035	565	565	450	450	-	-	-	300
80036	715	715	600	600	-	-	-	300

IMAGE CODE PRODUCT DESCRIPTION



Stormwater Pits
 84811 Series 300 Stormwater Pit Case Only 300x300x300
 84816 Series 300 Stormwater Pit Case Only 300x300x450
 80034 Series 450 Stormwater Pit Case Only 450x450x325
 80001 Series 450 Stormwater Pit Case Only 450x450x450
 80010 Series 300 Stormwater Pit Case Only 600x600x600



Stormwater Pit Risers
 84221 Series 300 Stormwater Pit Riser 300x300x150
 80035 Series 450 Stormwater Pit Riser 450x450x300
 80036 Series 600 Stormwater Pit Riser 600x600x300



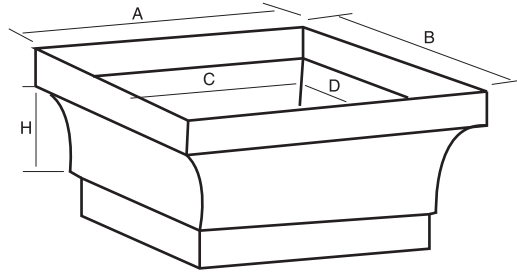
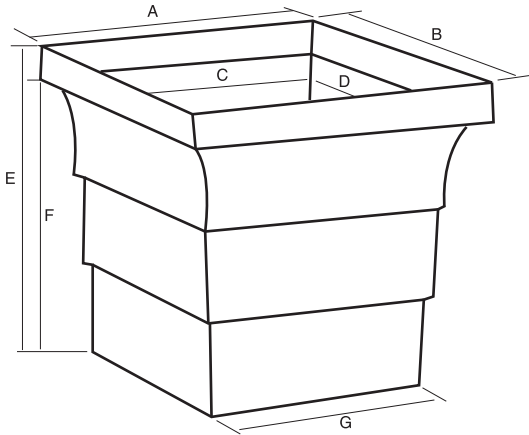
Stormwater Pit Grates
 84845 Series 300 Light Duty Cast Aluminium Grate - Class A
 84827 Series 300 Light Duty Galvanised Steel Grate - Class A
 21041 Series 450 Light Duty Galvanised Steel Grate - Class A
 21042 Series 450 Medium Duty Galvanised Steel Grate - Class B
 21043 Series 600 Light Duty Galvanised Steel Grate - Class A
 21044 Series 600 Medium Duty Galvanised Steel Grate - Class B



Stormwater Pit Checker Plate Covers
 84829 Series 300 Light Duty Galvanised Steel Cover - Class A
 21050 Series 450 Light Duty Galvanised Steel Cover - Class A
 21051 Series 450 Medium Duty Galvanised Steel Cover - Class B
 21052 Series 600 Light Duty Galvanised Steel Cover - Class A
 21053 Series 600 Medium Duty Galvanised Steel Cover - Class B

SURFACE WATER DRAINAGE

Everhard Stormwater Pits and Grates

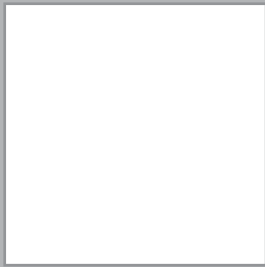


Code No.	A	B	C	D	E	F	G	H
84811	357	357	315	315	326	300	292	-
84816	357	357	315	315	452	425	292	-
80001	565	565	450	450	383	325	435	-
80034	565	565	450	450	510	450	435	-
80010	715	715	600	600	660	600	560	-
84221	357	357	315	315	-	-	-	150
80035	565	565	450	450	-	-	-	300
80036	715	715	600	600	-	-	-	300

IMAGE

CODE

PRODUCT DESCRIPTION


 21479
 21480

Stormwater Pits Covers - Continued

 Series 450 Medium Duty Concrete Cover - Class B
 Series 600 Medium Duty Concrete Cover - Class B

 13500
 13501
 13502

Stormwater Pit Trash Screens

 Series 300 Trash Screen
 Series 450 Trash Screen
 Series 600 Trash Screen

*Other varieties available in NSW

