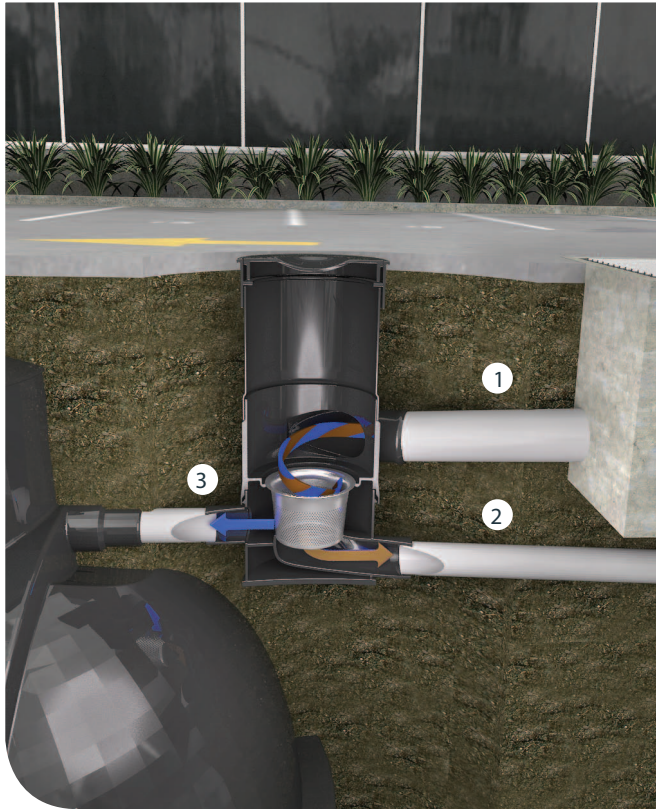


Vortex Fine Filter



- ↑ 1 RAINWATER
- 2 STORMWATER
- 3 TANKWATER

Unique innovative Rainwater Filtering by Vortex Adhesion for Underground Tank Storage.



How the Vortex Works

Fitted to a horizontal drain pipe, it filters and diverts the rainwater to a storage tank.

The incoming rainwater runs out of the horizontal drain pipe into the side of the Filter and is then led in a vortex to the filter housing below.

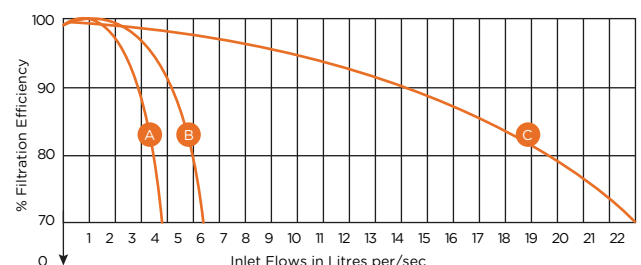
There the rainwater is drawn through the vertically placed fine filter by adhesion and is led through the outlet to the storage area, whilst the debris is rinsed away with the remaining water to drain.

Vortex Fine Filters

Code	Description	
URVFO1	100mm Vortex Fine Filter	(A)
URVF15	150mm Vortex Fine Filter	(B)
URVF30	300mm Vortex Fine Filter	(C)

Special Features

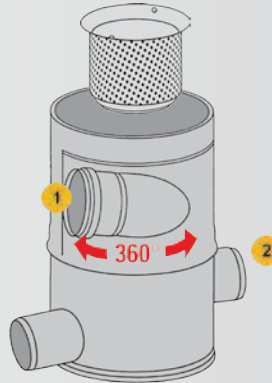
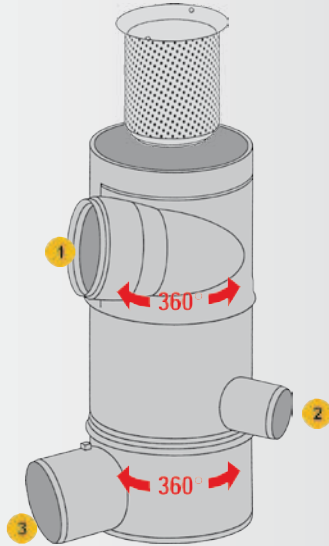
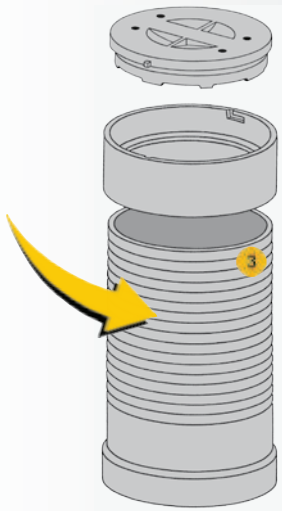
- > Capture more than 90% while cleaning your filter as well
- > Filtering to 0.44 mm all by gravity
- > Withstands up to 30 tonne vehicles
- > Extension risers available for deeper underground installation
- > Ideally used with Polymaster Underground Tanks



Vortex Fine Filter Dimensions & Accessories

The URVF01 & URVF15 For roof areas of up to 200/500 m²

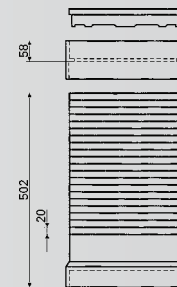
Extension tubes
To raise the inspection opening to the ground level. Easily cut to length due to the moulded-in parallel lines.



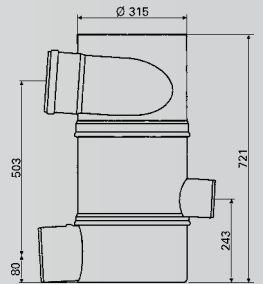
Filter insert (mesh size 0,28 mm or 0,44 mm) of stainless-steel. Housing, cover and extension tube of polypropylene (PP).

- 1 Rainwater inlet from the roof
- 2 Filtered water outlet to storage
- 3 Rinse water outlet to stormwater

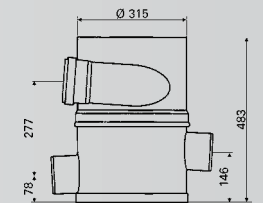
Extension tube
For URVF01/15



URVF15



URVF01



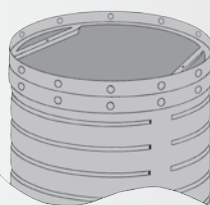
The URVF30 For roof areas of up to 3000 m²

> Ideal for industrial and public buildings

> High filtration capacity up to 16 litres per second at 80% efficiency

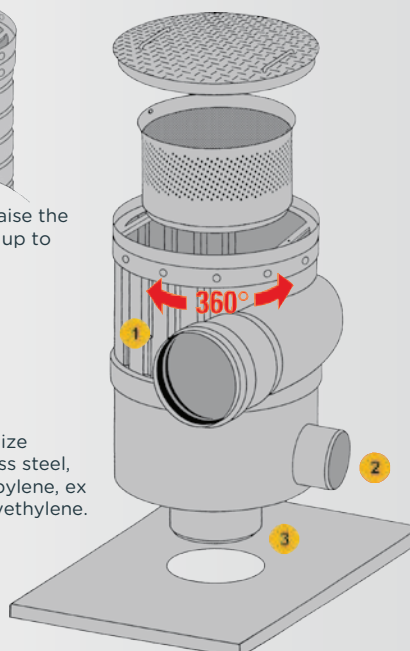
> Can also be used for mechanical cleaning of processing water

> Extension riser for inspection opening available up to 1,40 m length

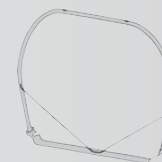


Extension tube to raise the inspection opening up to ground level.

Filter insert (mesh size 0,38 mm) of stainless steel, housing of polypropylene, extension tube of polyethylene.



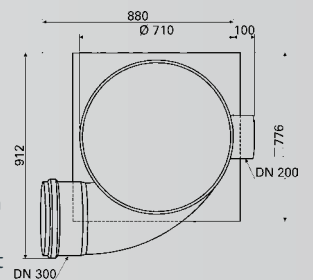
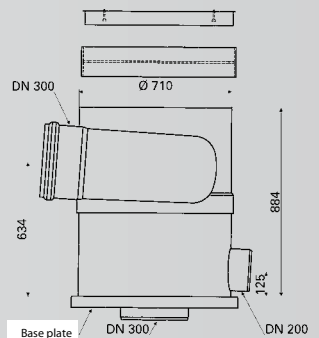
URVF30 Riser



Lifting handle for the filter insert included.

- 1 Rainwater inlet from the roof
- 2 Filtered water outlet to the storage tank
- 2 Rinsing water outlet to wash out dirt

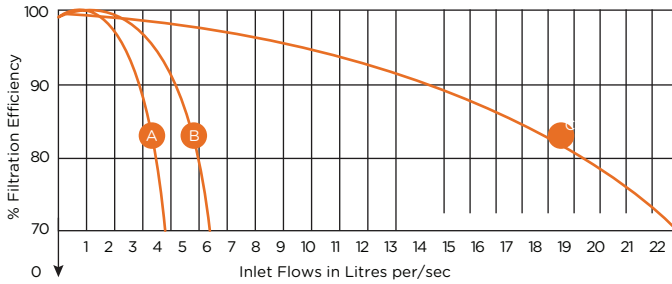
URVF30



Vortex Technical Information



Filtration Efficiency Table



This table displays inlet flows in relation to filtration efficiencies from 100% down to 70% water capture. This filter is designed for conventional storm-water systems only, it is not suitable for syphonic or air-excluded drainage systems. The bypass or peak load capabilities of this filter are applicable to the following conditions:

Bypass Capabilities Table

Test Conditions	URVF01	URVF15	URVF30
Inlet/Outlet Pipe Diameter	100NB	150NB	300NB
Inlet/Outlet Gradient	1%	1%	1%
Incoming Velocity	0.8m per/sec	0.8m per/sec	0.8m per/sec
Pipe Internal Roughness	1mm	1mm	1mm
Pipe Fill Percentage	70%	70%	70%
Filter Mesh Size	0.44mm	0.44mm	0.44mm
Inlet Max Flow Capabilities	4.2L/sec	12.8L/sec	80.6L/sec

Based on the above test conditions, the Vortex Filters listed are capable of the indicated max inlet flows without restricting flow or creating back pressure.

