

Zenox Horizontal Multistage Pressure System

PROFESSIONAL

- Water supply for home & garden
- Pumping from tanks
- Quality construction - made in Italy
- Very quiet and efficient

Specification:

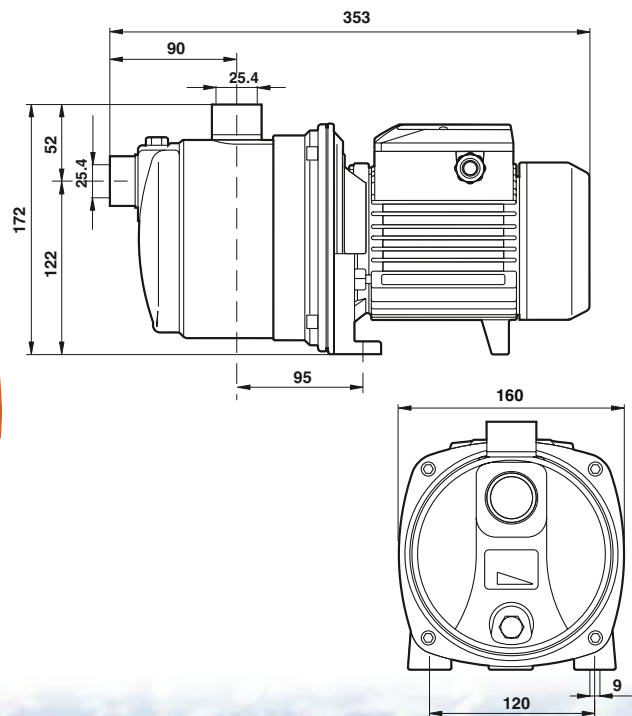
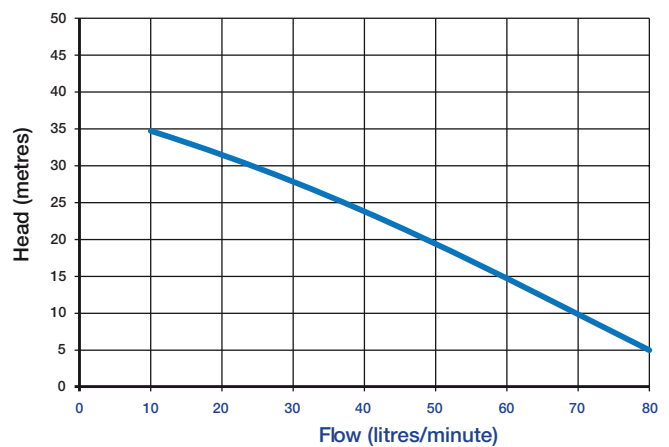
- 38 metres max head
- 80 litres per minute max delivery
- 450 watt, 240 volt TEFC "quiet" motor suitable for continuous duty
- 25 mm inlet
- 25 mm outlet
- 7.6 kg
- 353 mm L x 160 mm W x 174 mm H

Features:

- Stainless steel shaft
- Stainless steel pump housing
- Long life bearings
- Mech seal, ceramic - graphite - NBR

- Suction Lift to 7 metres
- 4 Tap capacity
- Thermal overload protection
- Quiet running, very reliable and low power consumption
- Built in pressure guage
- **Optional 7 Year Warranty**

Pump Performance:



Zenox Pumps reserves the right to change product specifications.

Zenox Horizontal Multistage Pressure System PROFESSIONAL

- High pressure, medium flow applications.
- Suit medium to larger houses
- Quality construction – made in Italy
- Very quiet and efficie

Specification:

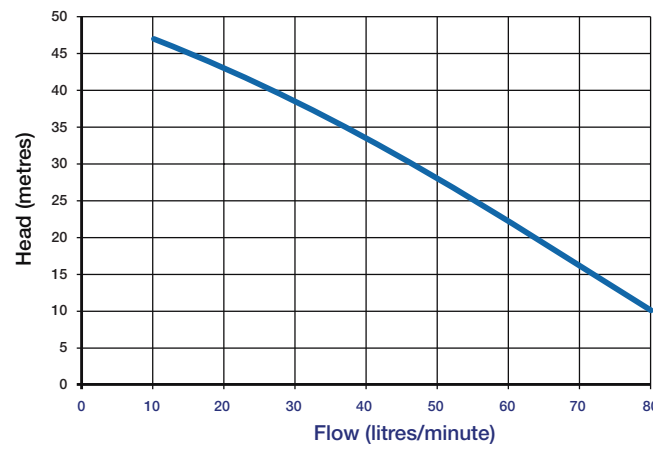
- 50 metres max head
- 80 litres per minute max delivery
- 600 watt, 240 volt TEFC "quiet" motor suitable for continuous duty
- 25 mm inlet
- 25 mm outlet
- 7.6 kg
- 353 mm L x 160 mm W x 174 mm H

Features:

- Stainless steel shaft
- Stainless steel pump housing
- Long life bearings
- Mech seal, ceramic – graphite - NBR

- Suction lift to 7 metres
- 6 Tap Capacity
- Thermal overload protection
- Quiet running, very reliable and low power consumption.
- Built in pressure gauge
- **Optional 7 Year Warranty**

Pump Performance:



Zenox Pumps reserves the right to change product specifications.

